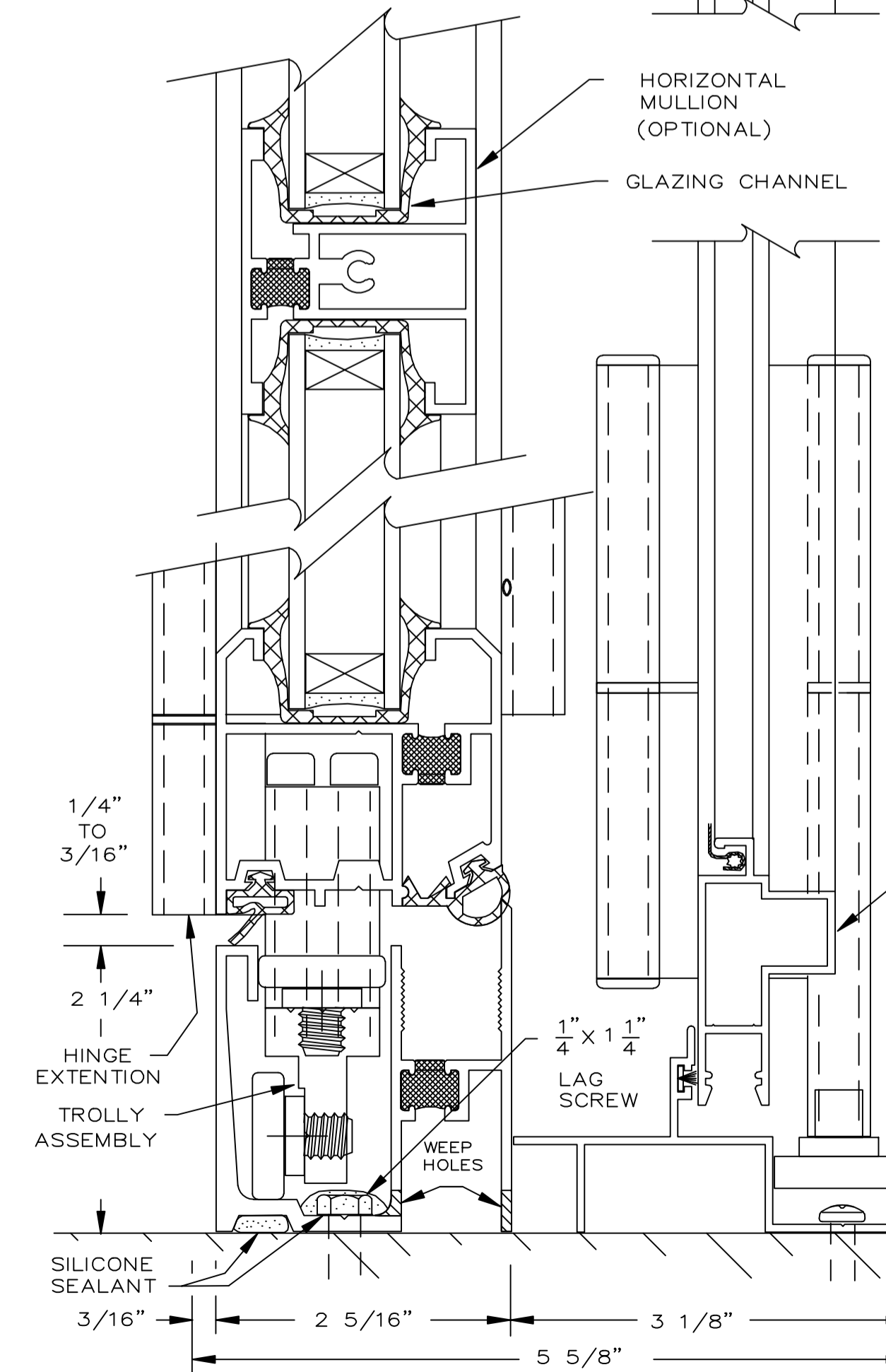
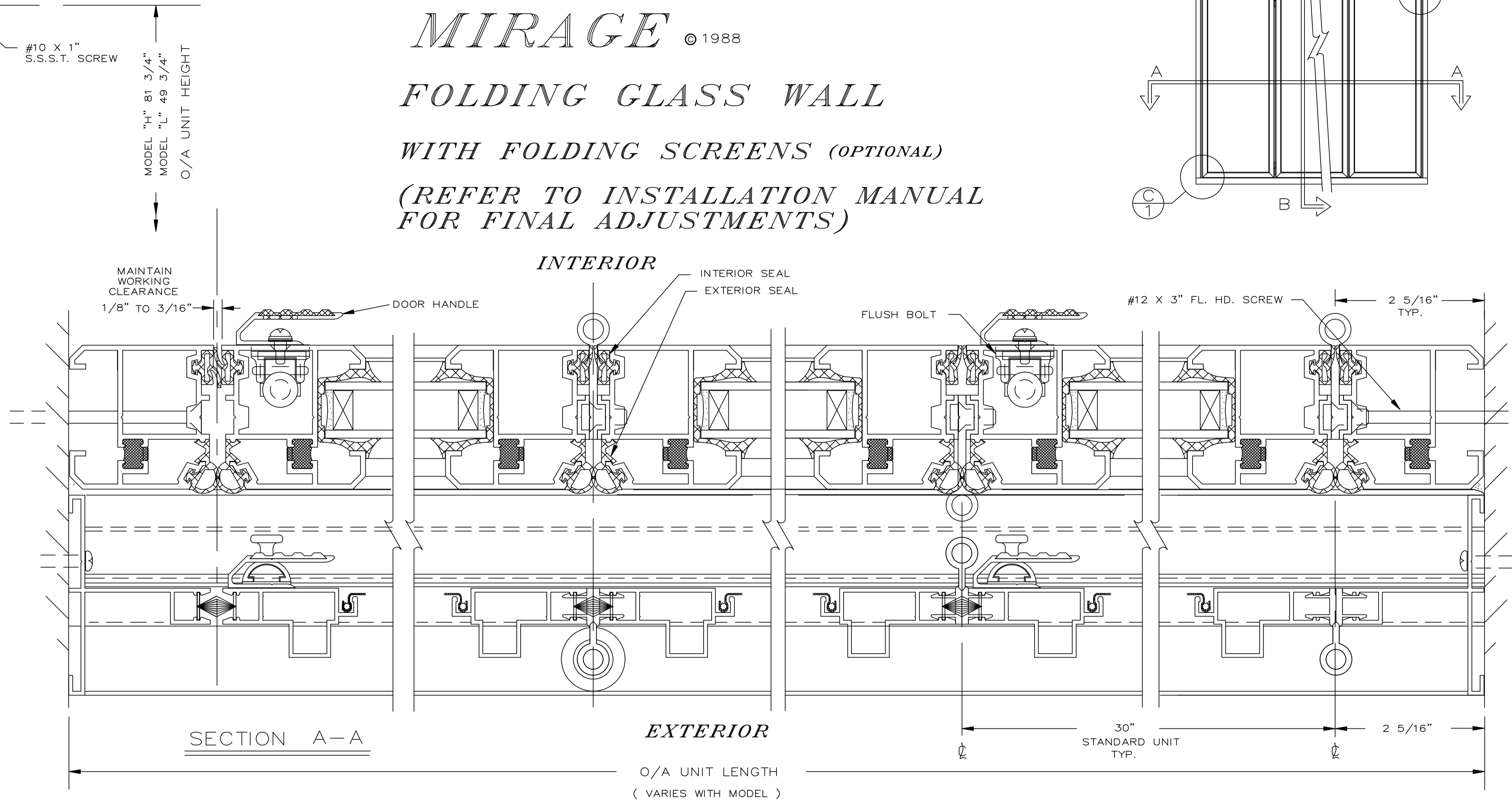
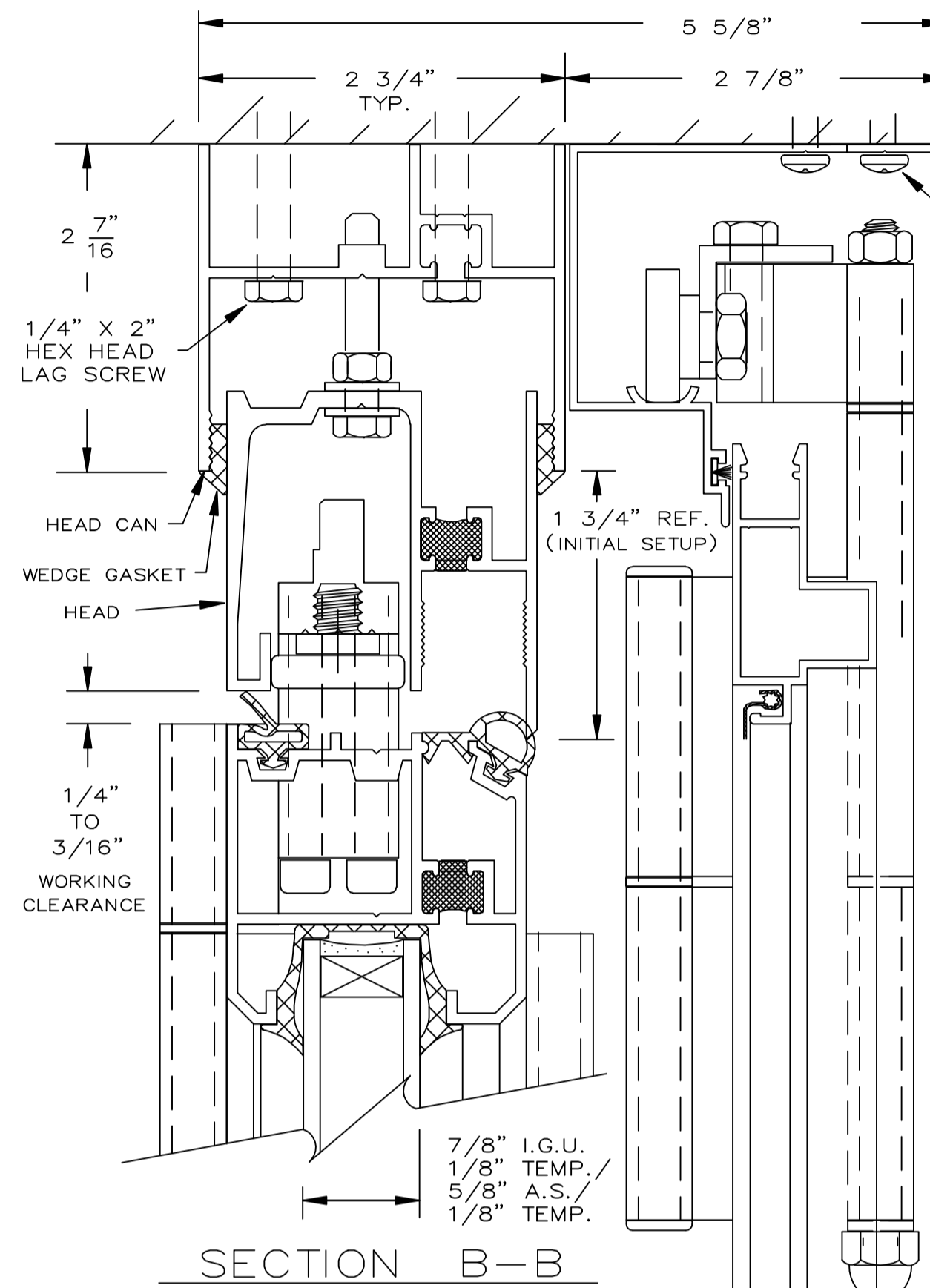
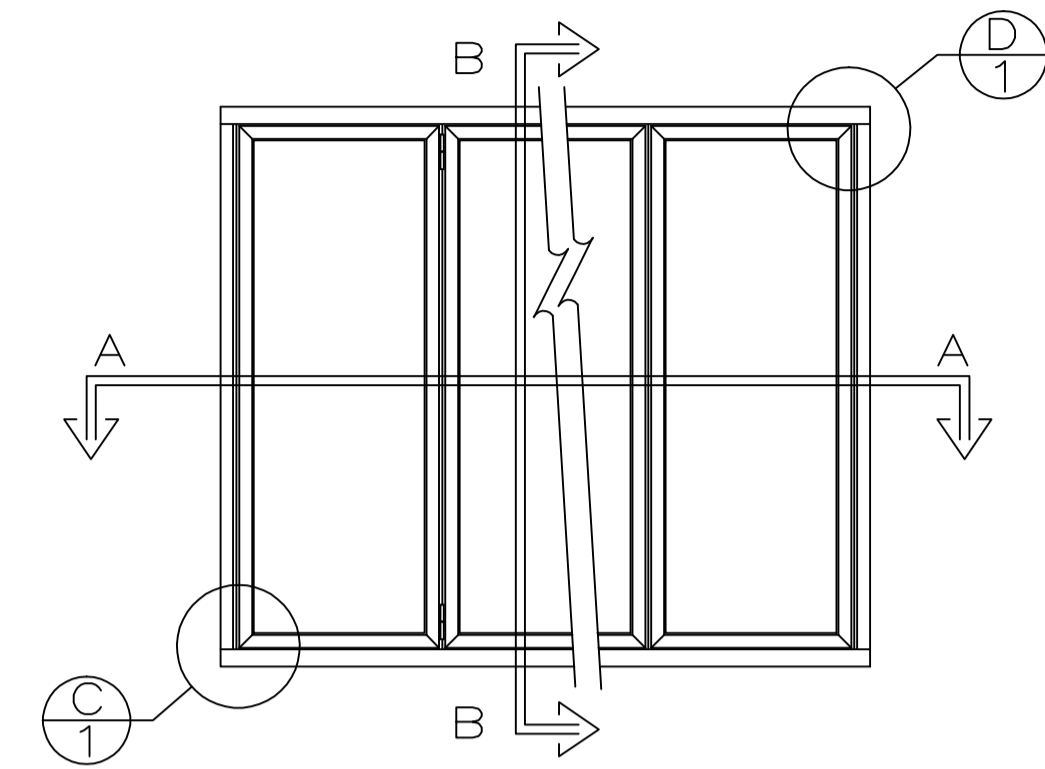


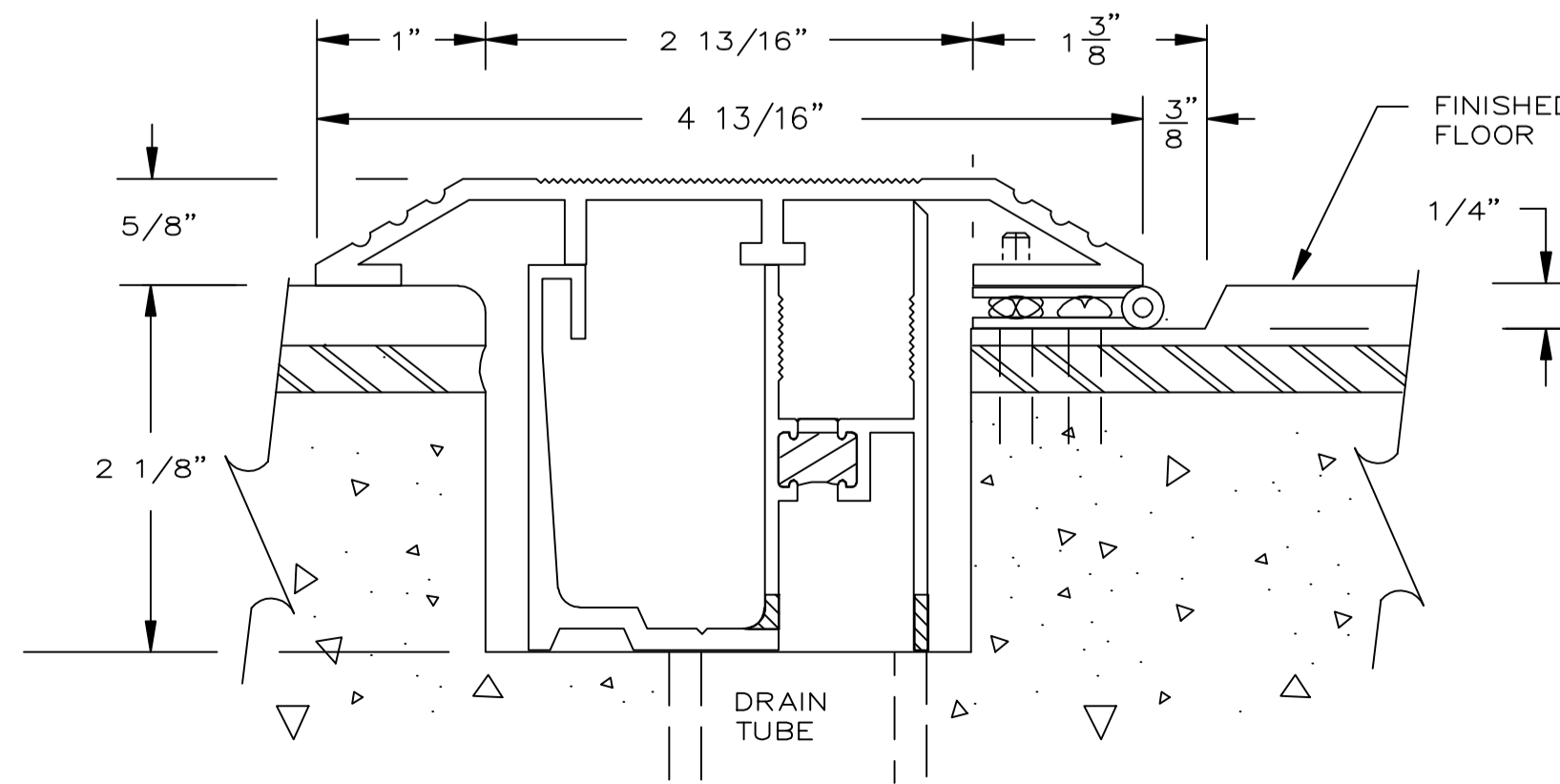
**IMPORTANT NOTE.. GLASS PANELS WILL ALWAYS FOLD TO THE INSIDE OF BUILDING.
FOLDING SCREENS WILL ALWAYS FOLD TO OUTSIDE OF BUILDING.**

MIRAGE © 1988 FOLDING GLASS WALL

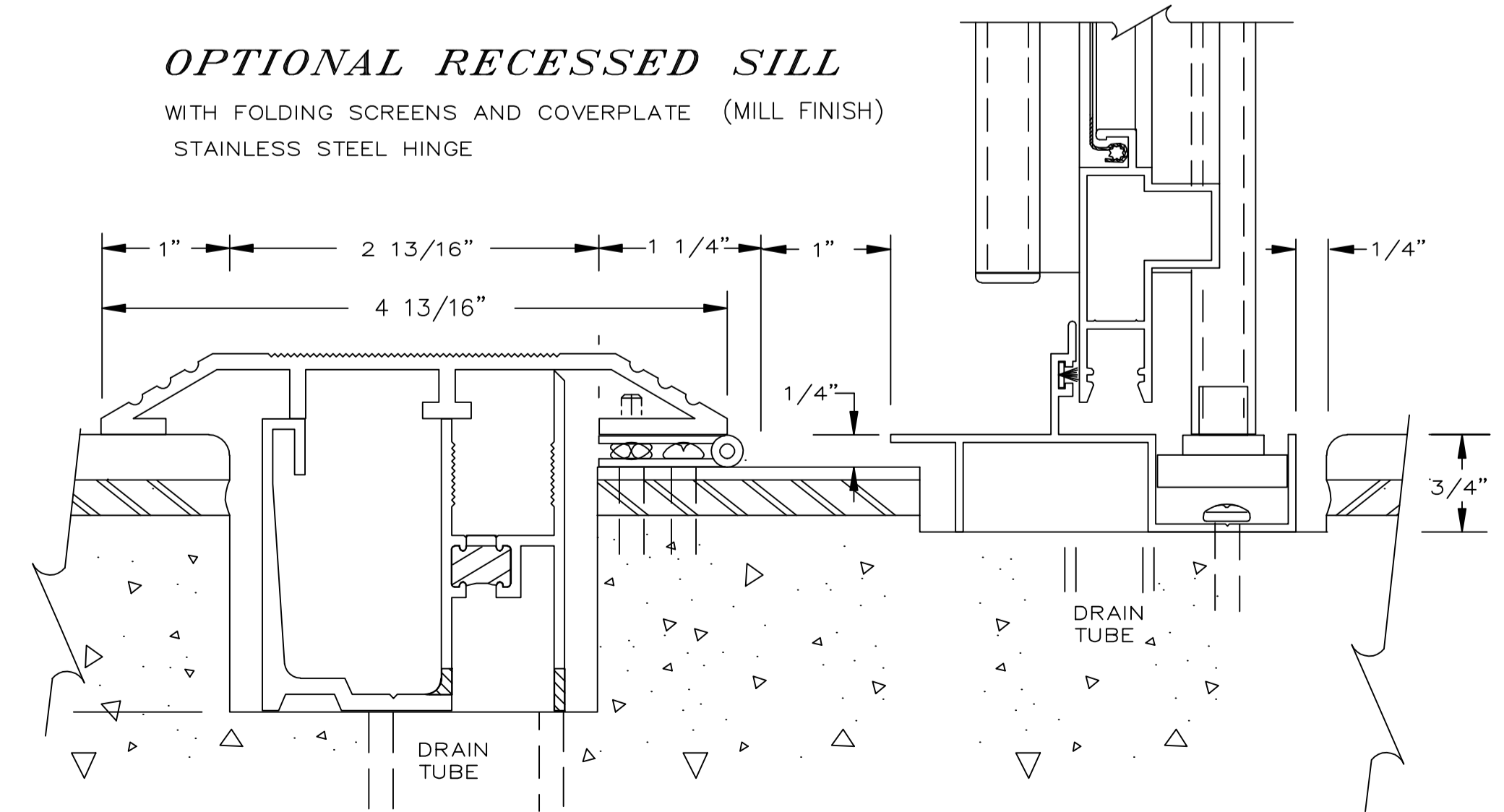
WITH FOLDING SCREENS (OPTIONAL)
(REFER TO INSTALLATION MANUAL FOR FINAL ADJUSTMENTS)



OPTIONAL RECESSED SILL
WITH COVERPLATE (MILL FINISH) W/ STAINLESS STEEL HINGE



OPTIONAL RECESSED SILL
WITH FOLDING SCREENS AND COVERPLATE (MILL FINISH)
STAINLESS STEEL HINGE



PROJECT NAME: PURCHASED BY: SALES ORDER NO.: DRAWN BY: CHECKED BY: DATE: SCALE: DRAWING FILE: SHEET		REVISIONS: NO. DESCRIPTION DATE _____ _____ _____ _____
PROJECT TITLE: DRAWING TITLE: SHEET OF		SIGNATURE: DATE: CERTIFICATION BLOCK: I HEREBY CERTIFY THAT ALL DIMENSIONS, PLANS, SPECIFICATIONS, AND MATERIALS LISTED ON THE ENCLOSED SHOP DRAWINGS, I HEREBY AUTHORIZE FABRICATION OF THE ABOVE INDICATED PRODUCT TO THE BEST OF MY KNOWLEDGE AND BELIEF, AND AS PER THESE DRAWINGS. PRINT NAME: _____ SIGNATURE: _____ DATE: _____

Manufactured by: 7030 New Brewick Hwy
Bloomington, Pa 17815
Columbia County
Industrial Park
Rt. 11 North
Pittsburg, Pa 15252-1111
Skytech Systems
1st century, ltd. 752-3635